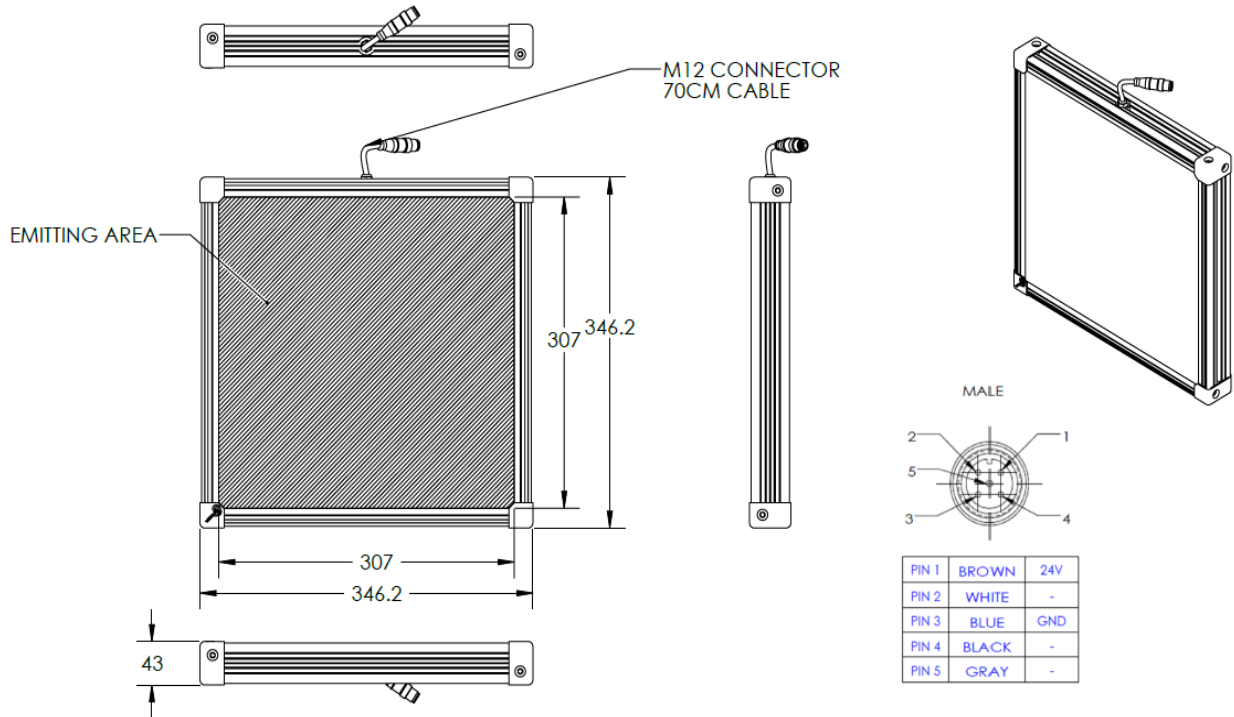


HBBX-00-320X320-X-G-24V

Lighting Dimension



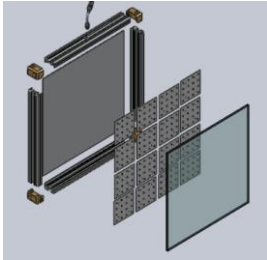
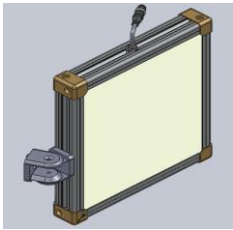
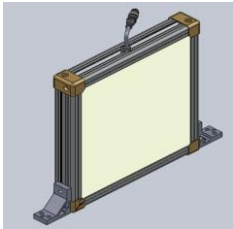
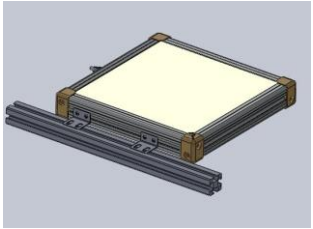
Mechanical Information	
Casing Material	Aluminium
Storage & Operating Temperature Range	Temp 0-60°C, Humidity 20-85%
Weight	2880 g
Length / Outer Diameter	346.2 mm
Width / Inner Diameter	346.2 mm
Thickness / Height	43 mm

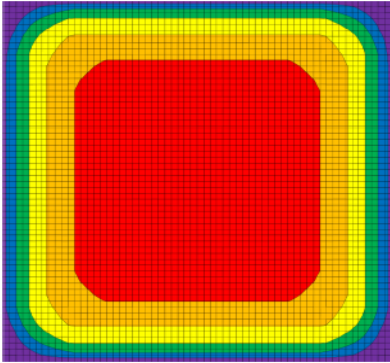


HBBX-00-320X320-X-G-24V

Optical Information			
Part Number	HBBX-00-320X320-X-G-24V		
LED Colour	GREEN		
Wavelength	(nm)	27480	25920 24840
Intensity (±15%)	(Lux)	10	20 30
Working Distance	(mm)	X	
Illumination (number of rows)			
Illumination Active Area	307		
Active Length	(mm)	307	
Active Width	(mm)	0	
Emission Angle	(deg.)	EXEMPT	
Eye Safety Class (IEC62471)	II		
Electrical Information			
Lighting Supply Voltage (constant voltage mode)	24V ± 2%		
Continuous Current	(mA)	1920	
Power Consumption	(W)	46.08	
Lighting Casing Temperature, Operating after 60 minutes	°C	56.1	
Strobe Mode Specification			
Pulse Operation	YES		
Max. Lighting Supply Voltage (constant voltage power supply)	(V)	Pulsing at 24VDC to 48VDC, 0-10% Duty Cycle Recommended at 36VDC	
Pulse Current, (Max. 10 msec) (constant current power supply)	(mA)	5760	
Max. Trigger Pulse Duration	(msec)	10	
Duty Cycle	0-10%		
Additional Information			
Additional Cooling Method	Attached to machine part for better heat dissipation		
Intensity Controller Selection	SD/SDA-Series		
CE Conformity	YES		
RoHS Compliance	YES		
Connection			
Connector Type (default)	M12 5 PIN CONNECTOR (MALE)		
Cable Length (out from lighting)	(mm)	700	
Pin Configuration	Pin	Signal	Cable Colour
	1	24V	BROWN
	2	-	WHITE
	3	GND	BLUE
	4	-	BLACK
	5	-	GRAY
Extension Cable			
Connector Type (default)	M12 5 PIN CONNECTOR (FEMALE)		
Part Number	EXT-FL-M12F-3M-24V		
Cable Length (out from female connector)	(mm)	3000	
Extension Cable (connect to M12 5 Pin Male Connector from lighting)			
Application			
Illumination Type	Backlight Illumination		
Application Use	Lead frame inspection, shape recognition, size measurement		

HBBX-00-320X320-X-G-24V

Advantages			
PCBA Cascade			
Easy Mounting	Join Bracket (Angle Mount)	L Bracket (Vertical Mount)	L-shaped Plate (Horizontal Mount)
			

Uniform Graph (Relative Irradiation Strength) - Representative pattern																							
<table border="1"> <thead> <tr> <th>COLOUR</th> <th>TOLERANCE</th> <th>L X W</th> </tr> </thead> <tbody> <tr> <td>Red</td> <td>± 5 %</td> <td>195 X 205</td> </tr> <tr> <td>Orange</td> <td>± 10 %</td> <td>235 X 240</td> </tr> <tr> <td>Yellow</td> <td>± 15 %</td> <td>265 X 275</td> </tr> <tr> <td>Green</td> <td>± 20 %</td> <td>285 X 285</td> </tr> <tr> <td>Blue</td> <td>± 25 %</td> <td>295 X 295</td> </tr> <tr> <td>Purple</td> <td>± 30 %</td> <td>305 X 305</td> </tr> </tbody> </table>	COLOUR	TOLERANCE	L X W	Red	± 5 %	195 X 205	Orange	± 10 %	235 X 240	Yellow	± 15 %	265 X 275	Green	± 20 %	285 X 285	Blue	± 25 %	295 X 295	Purple	± 30 %	305 X 305		
COLOUR	TOLERANCE	L X W																					
Red	± 5 %	195 X 205																					
Orange	± 10 %	235 X 240																					
Yellow	± 15 %	265 X 275																					
Green	± 20 %	285 X 285																					
Blue	± 25 %	295 X 295																					
Purple	± 30 %	305 X 305																					