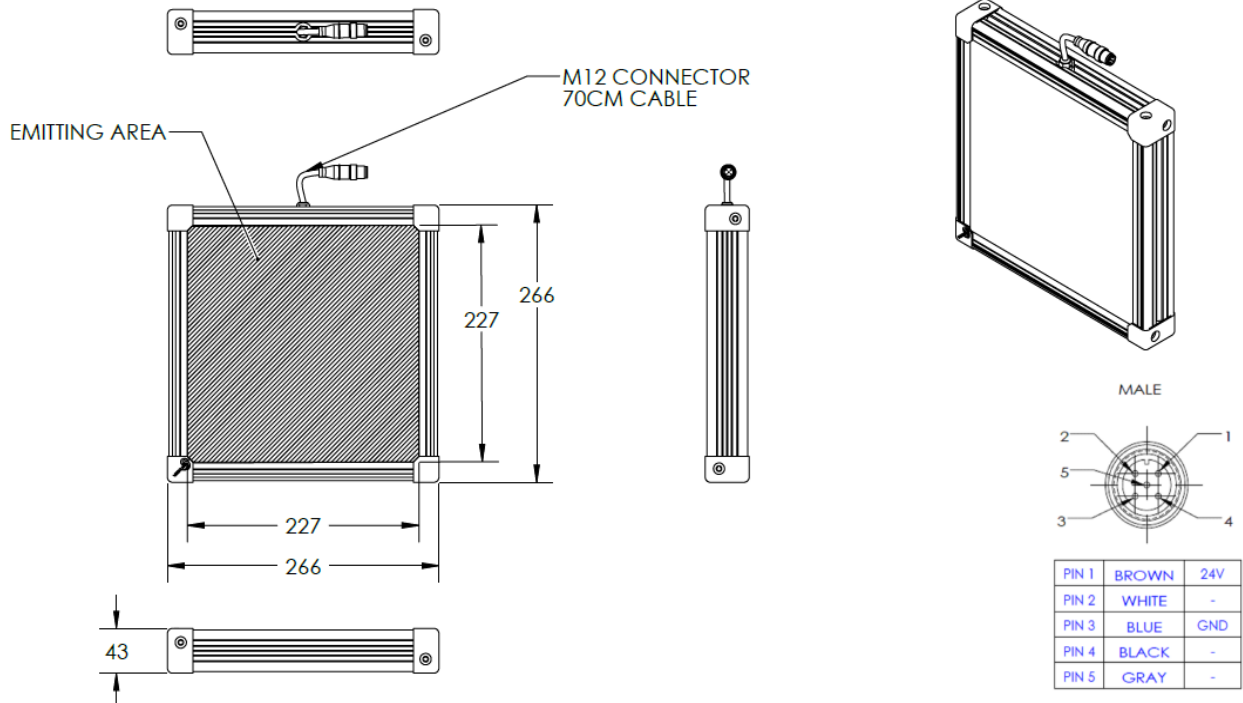


## HBBX-00-240X240-X-W-24V

### Lighting Dimension



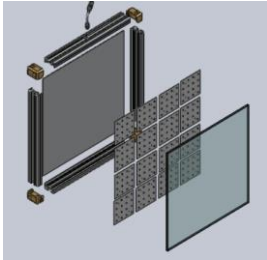
Mechanical Information	
Casing Material	Aluminium
Storage & Operating Temperature Range	Temp 0-60°C, Humidity 20-85%
Weight	1900 g
Length / Outer Diameter	266 mm
Width / Inner Diameter	266 mm
Thickness / Height	43 mm



## HBBX-00-240X240-X-W-24V

Optical Information																					
Part Number	HBBX-00-240X240-X-W-24V																				
LED Colour	WHITE																				
Wavelength	(nm) *Refer to the Chromaticity Table below																				
Intensity ( ±15%)	(Lux) 25110 23490 22005																				
Working Distance	(mm) 10 20 30																				
Illumination (number of rows)	X																				
Illumination Active Area																					
Active Length	(mm) 227																				
Active Width	(mm) 227																				
Emission Angle	(deg.) 0																				
Eye Safety Class ( IEC62471)	EXEMPT																				
<b>*CHROMATICITY TABLE</b>																					
	<table border="1"> <tr> <td>X</td> <td>0.296</td> <td>0.287</td> <td>0.307</td> <td>0.311</td> </tr> <tr> <td>Y</td> <td>0.276</td> <td>0.295</td> <td>0.315</td> <td>0.294</td> </tr> </table> <table border="1"> <tr> <td>X</td> <td>0.311</td> <td>0.307</td> <td>0.33</td> <td>0.33</td> </tr> <tr> <td>Y</td> <td>0.294</td> <td>0.315</td> <td>0.339</td> <td>0.318</td> </tr> </table>	X	0.296	0.287	0.307	0.311	Y	0.276	0.295	0.315	0.294	X	0.311	0.307	0.33	0.33	Y	0.294	0.315	0.339	0.318
X	0.296	0.287	0.307	0.311																	
Y	0.276	0.295	0.315	0.294																	
X	0.311	0.307	0.33	0.33																	
Y	0.294	0.315	0.339	0.318																	
Electrical Information																					
Lighting Supply Voltage (constant voltage mode)	24V ± 2%																				
Continuous Current	(mA) 1125																				
Power Consumption	(W) 27																				
Lighting Casing Temperature, Operating after 60 minutes	°C 55.7																				
Strobe Mode Specification																					
Pulse Operation	YES																				
Max. Lighting Supply Voltage (constant voltage power supply)	(V) Pulsing at 24VDC to 48VDC, 0-10% Duty Cycle Recommended at 36VDC																				
Pulse Current, (Max. 10 msec) (constant current power supply)	(mA) 3375																				
Max. Trigger Pulse Duration	(msec) 10																				
Duty Cycle	0-10%																				
Additional Information																					
Additional Cooling Method	Attached to machine part for better heat dissipation																				
Intensity Controller Selection	SD/SDA-Series																				
CE Conformity	YES																				
RoHS Compliance	YES																				
Connection																					
Connector Type (default)	M12 5 PIN CONNECTOR (MALE)																				
Cable Length (out from lighting)	( mm ) 700																				
Pin Configuration	<table border="1"> <thead> <tr> <th>Pin</th> <th>Signal</th> <th>Cable Colour</th> </tr> </thead> <tbody> <tr> <td>1</td> <td>24V</td> <td>BROWN</td> </tr> <tr> <td>2</td> <td>-</td> <td>WHITE</td> </tr> <tr> <td>3</td> <td>GND</td> <td>BLUE</td> </tr> <tr> <td>4</td> <td>-</td> <td>BLACK</td> </tr> <tr> <td>5</td> <td>-</td> <td>GRAY</td> </tr> </tbody> </table>	Pin	Signal	Cable Colour	1	24V	BROWN	2	-	WHITE	3	GND	BLUE	4	-	BLACK	5	-	GRAY		
Pin	Signal	Cable Colour																			
1	24V	BROWN																			
2	-	WHITE																			
3	GND	BLUE																			
4	-	BLACK																			
5	-	GRAY																			
Extension Cable																					
Connector Type (default)	M12 5 PIN CONNECTOR (FEMALE)																				
Part Number	EXT-FL-M12F-3M-24V																				
Cable Length (out from female connector)	(mm) 3000																				
Extension Cable (connect to M12 5 Pin Male Connector from lighting)																					
Application																					
Illumination Type	Backlight Illumination																				
Application Use	Lead frame inspection, shape recognition, size measurement																				

## HBBX-00-240X240-X-W-24V

Advantages			
PCBA Cascade			
Easy Mounting	Join Bracket (Angle Mount)	L Bracket (Vertical Mount)	L-shaped Plate (Horizontal Mount)
	