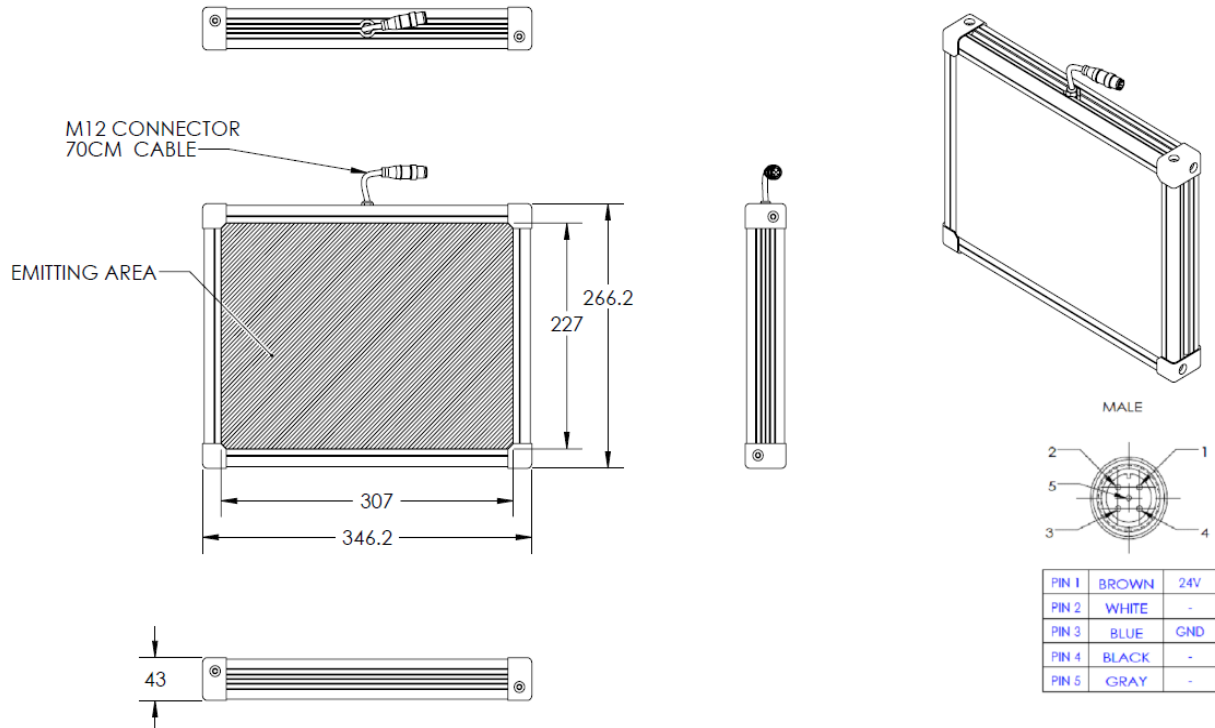


HBBX-00-240X320-X-G-24V

Lighting Dimension



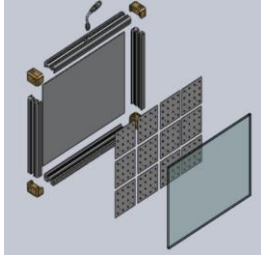
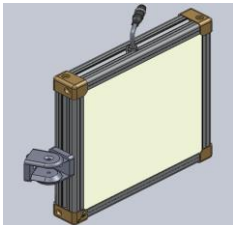
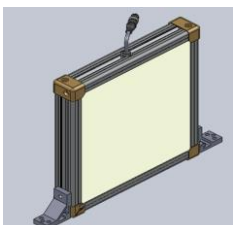
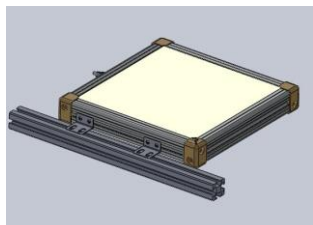
| Mechanical Information | |
|---------------------------------------|------------------------------|
| Casing Material | Aluminium |
| Storage & Operating Temperature Range | Temp 0-60°C, Humidity 20-85% |
| Weight | 2280 g |
| Length / Outer Diameter | 346.2 mm |
| Width / Inner Diameter | 266.2 mm |
| Thickness / Height | 43 mm |



HBBX-00-240X320-X-G-24V

| Optical Information | | | |
|---|--|---|--------------|
| Part Number | HBBX-00-240X320-X-G-24V | | |
| LED Colour | GREEN | | |
| Wavelength | (nm) | 525 | |
| Intensity (±15%) | (Lux) | 28578 | 26934 25416 |
| Working Distance | (mm) | 10 | 20 30 |
| Illumination (number of rows) | X | | |
| Illumination Active Area | | | |
| Active Length | (mm) | 307 | |
| Active Width | (mm) | 227 | |
| Emission Angle | (deg.) | 0 | |
| Eye Safety Class (IEC62471) | EXEMPT | | |
| Electrical Information | | | |
| Lighting Supply Voltage (constant voltage mode) | 24V ± 2% | | |
| Continuous Current | (mA) | 1500 | |
| Power Consumption | (W) | 36 | |
| Lighting Casing Temperature, Operating after 60 minutes | °C | 55.6 | |
| Strobe Mode Specification | | | |
| Pulse Operation | YES | | |
| Max. Lighting Supply Voltage (constant voltage power supply) | (V) | Pulsing at 24VDC to 48VDC, 0-10% Duty Cycle Recommended at 36VDC | |
| Pulse Current, (Max. 10 msec) (constant current power supply) | (mA) | 4500 | |
| Max. Trigger Pulse Duration | (msec) | 10 | |
| Duty Cycle | 0-10% | | |
| Additional Information | | | |
| Additional Cooling Method | Attached to machine part for better heat dissipation | | |
| Intensity Controller Selection | SD/SDA-Series | | |
| CE Conformity | YES | | |
| RoHS Compliance | YES | | |
| Connection | | | |
| Connector Type (default) | M12 5 PIN CONNECTOR (MALE) | | |
| Cable Length (out from lighting) | (mm) | 700 | |
| Pin Configuration | Pin | Signal | Cable Colour |
| | 1 | 24V | BROWN |
| | 2 | - | WHITE |
| | 3 | GND | BLUE |
| | 4 | - | BLACK |
| | 5 | - | GRAY |
| | | | |
| Extension Cable | | | |
| Connector Type (default) | M12 5 PIN CONNECTOR (FEMALE) | | |
| Part Number | EXT-FL-M12F-3M-24V | | |
| Cable Length (out from female connector) | (mm) | 3000 | |
| Extension Cable (connect to M12 5 Pin Male Connector from lighting) | | | |
| Application | | | |
| Illumination Type | Backlight Illumination | | |
| Application Use | Lead frame inspection, shape recognition, size measurement | | |

HBBX-00-240X320-X-G-24V

| Advantages | | | |
|---------------|--|---|--|
| PCBA Cascade |  | | |
| Easy Mounting | Join Bracket (Angle Mount) | L Bracket (Vertical Mount) | L-shaped Plate (Horizontal Mount) |
| |  |  |  |

