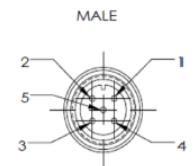
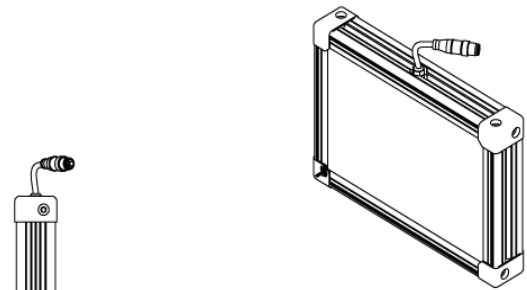
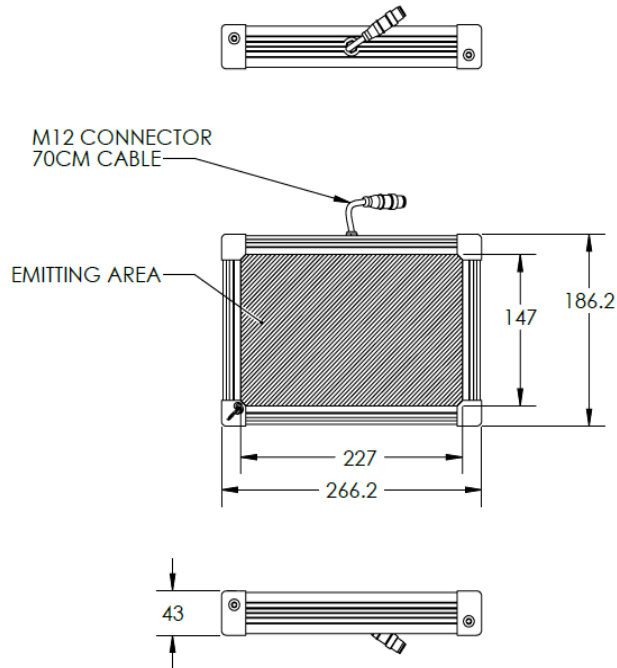


## HBBX-00-160X240-X-B-24V

### Lighting Dimension



PIN 1	BROWN	24V
PIN 2	WHITE	-
PIN 3	BLUE	GND
PIN 4	BLACK	-
PIN 5	GRAY	-



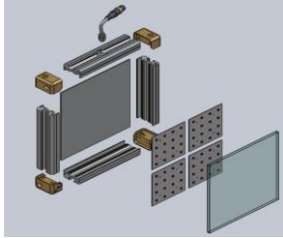
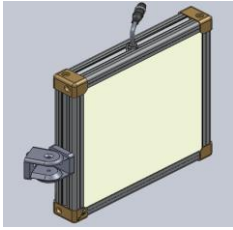
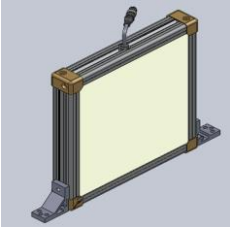
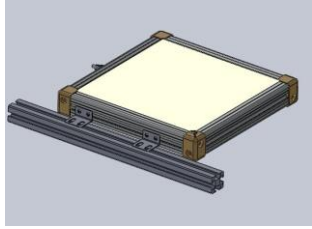
Mechanical Information	
Casing Material	Aluminium
Storage & Operating Temperature Range	Temp 0-60°C, Humidity 20-85%
Weight	1500 g
Length / Outer Diameter	266.2 mm
Width / Inner Diameter	186.2 mm
Thickness / Height	43 mm

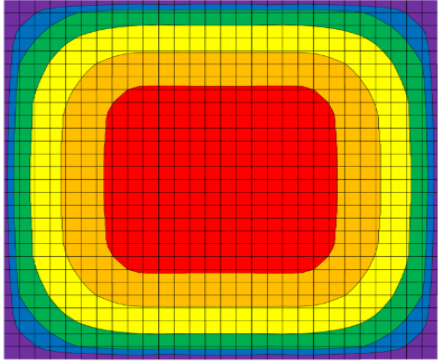


## HBBX-00-160X240-X-B-24V

Optical Information			
Part Number	HBBX-00-160X240-X-B-24V		
LED Colour	BLUE		
Wavelength	(nm)	470	
Intensity ( ±15%)	(Lux)	9495	8686 8047
Working Distance	(mm)	10	20 30
Illumination (number of rows)	X		
Illumination Active Area			
Active Length	(mm)	227	
Active Width	(mm)	147	
Emission Angle	(deg.)	0	
Eye Safety Class ( IEC62471)	II		
Electrical Information			
Lighting Supply Voltage (constant voltage mode)	24V ± 2%		
Continuous Current	(mA)	750	
Power Consumption	(W)	18	
Lighting Casing Temperature, Operating after 60 minutes	°C	46.3	
Strobe Mode Specification			
Pulse Operation	YES		
Max. Lighting Supply Voltage (constant voltage power supply)	(V)	Pulsing at 24VDC to 48VDC, 0-10% Duty Cycle Recommended at 36VDC	
Pulse Current, (Max. 10 msec) (constant current power supply)	(mA)	2250	
Max. Trigger Pulse Duration	(msec)	10	
Duty Cycle	0-10%		
Additional Information			
Additional Cooling Method	Attached to machine part for better heat dissipation		
Intensity Controller Selection	SD/SDA-Series		
CE Conformity	YES		
RoHS Compliance	YES		
Connection			
Connector Type (default)	M12 5 PIN CONNECTOR (MALE)		
Cable Length (out from lighting)	( mm )	700	
Pin Configuration	Pin	Signal	Cable Colour
	1	24V	BROWN
	2	-	WHITE
	3	GND	BLUE
	4	-	BLACK
	5	-	GRAY
Extension Cable			
Connector Type (default)	M12 5 PIN CONNECTOR (FEMALE)		
Part Number	EXT-FL-M12F-3M-24V		
Cable Length (out from female connector)	(mm)	3000	
Extension Cable (connect to M12 5 Pin Male Connector from lighting)			
Application			
Illumination Type	Backlight Illumination		
Application Use	Lead frame inspection, shape recognition, size measurement		

## HBBX-00-160X240-X-B-24V

Advantages			
PCBA Cascade			
Easy Mounting	<p>Join Bracket (Angle Mount)</p> 	<p>L Bracket (Vertical Mount)</p> 	<p>L-shaped Plate (Horizontal Mount)</p> 

Uniform Graph ( Relative Irradiation Strength) - Representative pattern																							
<table border="1"> <thead> <tr> <th>COLOUR</th> <th>TOLERANCE</th> <th>L X W</th> </tr> </thead> <tbody> <tr> <td>Red</td> <td>± 5 %</td> <td>75 X 72</td> </tr> <tr> <td>Orange</td> <td>± 10 %</td> <td>102 X 99</td> </tr> <tr> <td>Yellow</td> <td>± 15 %</td> <td>127 X 120</td> </tr> <tr> <td>Green</td> <td>± 20 %</td> <td>137 X 133</td> </tr> <tr> <td>Blue</td> <td>± 25 %</td> <td>142 X 140</td> </tr> <tr> <td>Purple</td> <td>± 30 %</td> <td>145 X 145</td> </tr> </tbody> </table>	COLOUR	TOLERANCE	L X W	Red	± 5 %	75 X 72	Orange	± 10 %	102 X 99	Yellow	± 15 %	127 X 120	Green	± 20 %	137 X 133	Blue	± 25 %	142 X 140	Purple	± 30 %	145 X 145		
COLOUR	TOLERANCE	L X W																					
Red	± 5 %	75 X 72																					
Orange	± 10 %	102 X 99																					
Yellow	± 15 %	127 X 120																					
Green	± 20 %	137 X 133																					
Blue	± 25 %	142 X 140																					
Purple	± 30 %	145 X 145																					