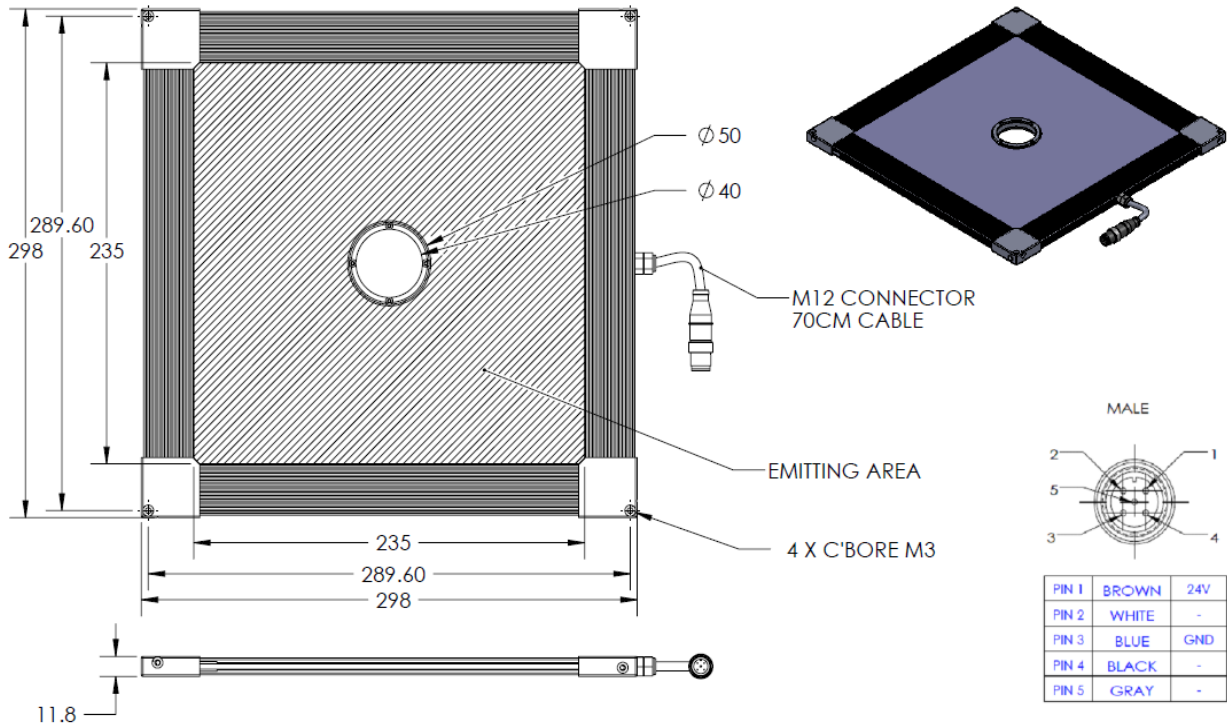


BHDQ2-00-235X235-1-W-24V

Lighting Dimension



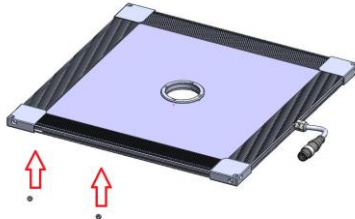
Mechanical Information	
Casing Material	Aluminium
Storage & Operating Temperature Range	Temp 0-60°C, Humidity 20-85%
Weight	1620 g
Length / Outer Diameter	297.8 mm
Width / Inner Diameter	297.8 mm
Thickness / Height	11.8 mm



BHDQ2-00-235X235-1-W-24V

Optical Information																					
Part Number	BHDQ2-00-235X235-1-W-24V																				
LED Colour	WHITE																				
Wavelength	(nm) *Refer to the Chromaticity Table below																				
Intensity (±15%)	(Lux) 4320 3929 3146																				
Working Distance	(mm) 200 220 250																				
Illumination (number of rows)	1																				
Illumination Active Area																					
Active Length / Outer diameter	(mm) 235 X 235																				
Active Width / Inner diameter	(mm) 50																				
Emission Angle	(deg.) 0																				
Eye Safety Class (IEC62471)	EXEMPT																				
*CHROMATICITY TABLE																					
	<table border="1"> <tr> <td>X</td> <td>0.296</td> <td>0.287</td> <td>0.307</td> <td>0.311</td> </tr> <tr> <td>Y</td> <td>0.276</td> <td>0.295</td> <td>0.315</td> <td>0.294</td> </tr> </table> <table border="1"> <tr> <td>X</td> <td>0.311</td> <td>0.307</td> <td>0.33</td> <td>0.33</td> </tr> <tr> <td>Y</td> <td>0.294</td> <td>0.315</td> <td>0.339</td> <td>0.318</td> </tr> </table>	X	0.296	0.287	0.307	0.311	Y	0.276	0.295	0.315	0.294	X	0.311	0.307	0.33	0.33	Y	0.294	0.315	0.339	0.318
X	0.296	0.287	0.307	0.311																	
Y	0.276	0.295	0.315	0.294																	
X	0.311	0.307	0.33	0.33																	
Y	0.294	0.315	0.339	0.318																	
Electrical Information																					
Lighting Supply Voltage (constant voltage mode)	24V ± 2%																				
Continuous Current	(mA) 600																				
Power Consumption	(W) 14.4																				
Lighting Casing Temperature, Operating after 60 minutes	°C 46.5																				
Strobe Mode Specification																					
Pulse Operation	YES																				
Max. Lighting Supply Voltage (constant voltage power supply)	(V) Pulsing at 24VDC to 48VDC, 0-10% Duty Cycle Recommended at 36VDC																				
Pulse Current, (Max. 10 msec) (constant current power supply)	(mA) 1800																				
Max. Trigger Pulse Duration	(msec) 10																				
Duty Cycle	0-10%																				
Additional Information																					
Additional Cooling Method	Attached to machine part for better heat dissipation																				
Intensity Controller Selection	SD/SDA-Series																				
CE Conformity	YES																				
RoHS Compliance	YES																				
Connection																					
Connector Type (default)	M12 5 PIN CONNECTOR (MALE)																				
Cable Length (out from lighting)	(mm) 700																				
Pin Configuration	Pin	Signal	Cable Colour																		
	1	24V	BROWN																		
	2	-	WHITE																		
	3	GND	BLUE																		
	4	-	BLACK																		
	5	-	GRAY																		
Extension Cable																					
Connector Type (default)	M12 5 PIN CONNECTOR (FEMALE)																				
Part Number	EXT-FL-M12F-3M-24V																				
Cable Length (out from female connector)	(mm) 3000																				
Extension Cable (connect to M12 5 Pin Male Connector from lighting)																					
Application																					
Illumination Type	Diffused Illumination																				
Application Use	Robotic picking, inspection for parts identification & missing parts, visual inspection for large workpiece, measuring stamp dimensions for press products																				

BHDQ2-00-235X235-1-W-24V

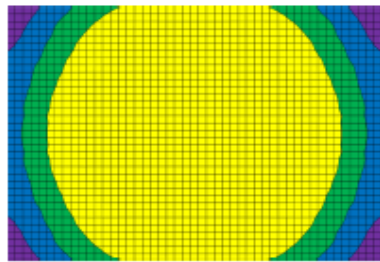
Advantages	
Easy Mounting	

Uniform Graph (Relative Irradiation Strength) - Representative pattern

LENS FOCAL LENGTH, F = 8 mm

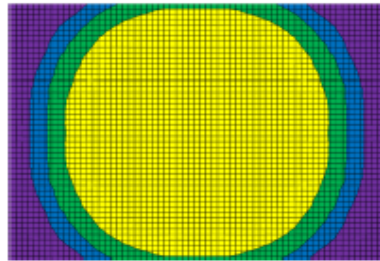
CWD = 300 mm
LWD = 300 mm

COLOUR	TOLERANCE	L X W
Yellow	± 15 %	190 X 175
Green	± 20 %	215 X 175
Blue	± 25 %	235 X 175
Purple	± 30 %	235 X 175



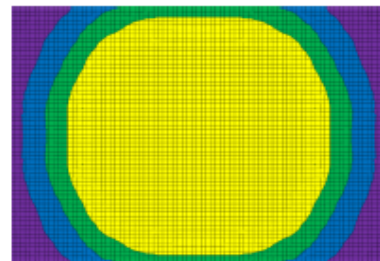
CWD = 400 mm
LWD = 400 mm

COLOUR	TOLERANCE	L X W
Yellow	± 15 %	230 X 225
Green	± 20 %	255 X 235
Blue	± 25 %	285 X 235
Purple	± 30 %	315 X 235



CWD = 500 mm
LWD = 500 mm

COLOUR	TOLERANCE	L X W
Yellow	± 15 %	280 X 280
Green	± 20 %	325 X 300
Blue	± 25 %	375 X 300
Purple	± 30 %	400 X 300



* Each individual box is 5 X 5 mm.

*Disclaimer : The graphs portrayed are for reference only and does not in any way guarantee the quality of this product.