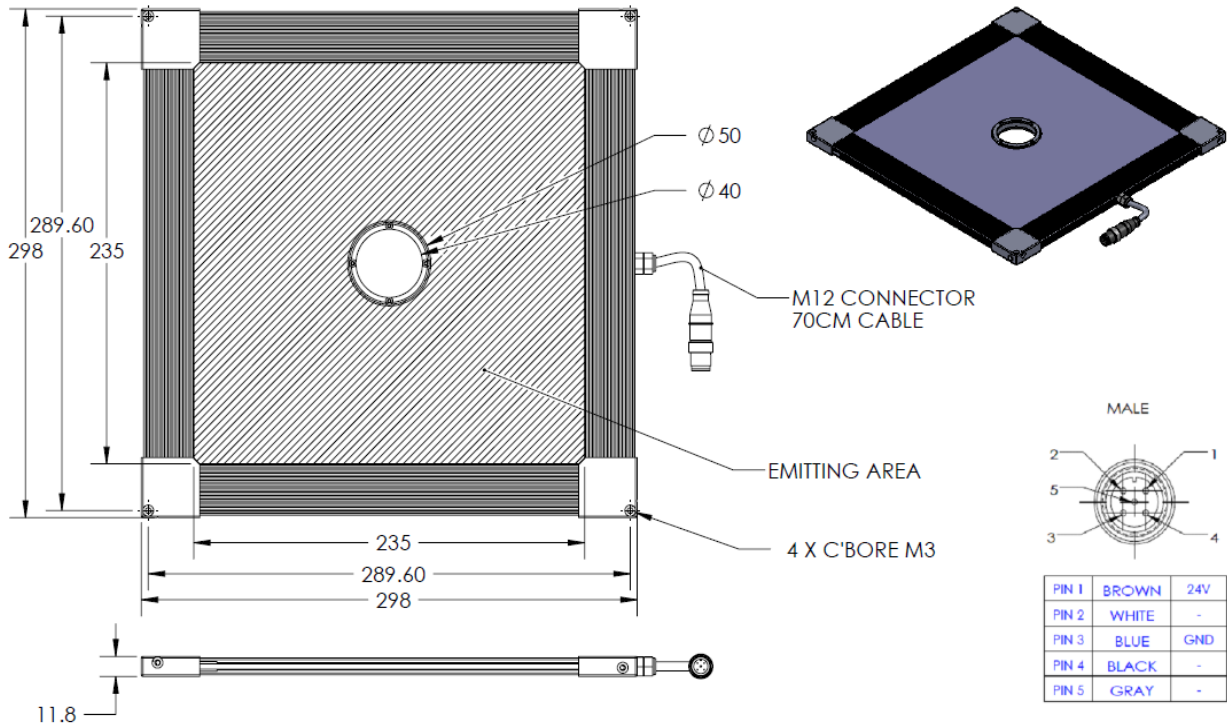


BHDQ2-00-235X235-1-B-24V

Lighting Dimension



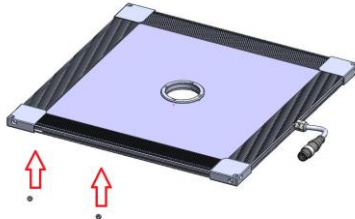
Mechanical Information	
Casing Material	Aluminium
Storage & Operating Temperature Range	Temp 0-60°C, Humidity 20-85%
Weight	1360 g
Length / Outer Diameter	298 X 298 mm
Width / Inner Diameter	40 mm
Thickness / Height	11.8 mm



BHDQ2-00-235X235-1-B-24V

Optical Information			
Part Number	BHDQ2-00-235X235-1-B-24V		
LED Colour	BLUE		
Wavelength	(nm)	470	
Intensity (±15%)	(Lux)	1532	1394 1116
Working Distance	(mm)	200	220 250
Illumination (number of rows)	1		
Illumination Active Area			
Active Length / Outer diameter	(mm)	235 X 235	
Active Width / Inner diameter	(mm)	50	
Emission Angle	(deg.)	0	
Eye Safety Class (IEC62471)	II		
Electrical Information			
Lighting Supply Voltage (constant voltage mode)	24V ± 2%		
Continuous Current	(mA)	600	
Power Consumption	(W)	14.4	
Lighting Casing Temperature, Operating after 60 minutes	°C	46.5	
Strobe Mode Specification			
Pulse Operation	YES		
Max. Lighting Supply Voltage (constant voltage power supply)	(V)	Pulsing at 24VDC to 48VDC, 0-10% Duty Cycle Recommended at 36VDC	
Pulse Current, (Max. 10 msec) (constant current power supply)	(mA)	1800	
Max. Trigger Pulse Duration	(msec)	10	
Duty Cycle	0-10%		
Additional Information			
Additional Cooling Method	Attached to machine part for better heat dissipation		
Intensity Controller Selection	SD/SDA-Series		
CE Conformity	YES		
RoHS Compliance	YES		
Connection			
Connector Type (default)	M12 5 PIN CONNECTOR (MALE)		
Cable Length (out from lighting)	(mm)	700	
Pin Configuration	Pin	Signal	Cable Colour
	1	24V	BROWN
	2	-	WHITE
	3	GND	BLUE
	4	-	BLACK
	5	-	GRAY
Extension Cable			
Connector Type (default)	M12 5 PIN CONNECTOR (FEMALE)		
Part Number	EXT-FL-M12F-3M-24V		
Cable Length (out from female connector)	(mm)	3000	
Extension Cable (connect to M12 5 Pin Male Connector from lighting)			
Application			
Illumination Type	Diffused Illumination		
Application Use	Robotic picking, inspection for parts identification & missing parts, visual inspection for large workpiece, measuring stamp dimensions for press products		

BHDQ2-00-235X235-1-B-24V

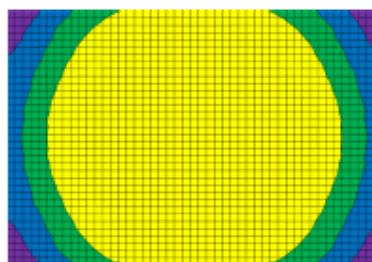
Advantages	
Easy Mounting	

Uniform Graph (Relative Irradiation Strength) - Representative pattern

LENS FOCAL LENGTH, $F = 8 \text{ mm}$

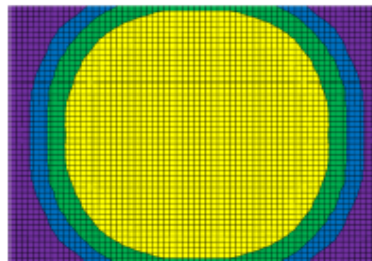
CWD = 300 mm
LWD = 300 mm

COLOUR	TOLERANCE	L X W
Yellow	$\pm 15 \%$	190 X 175
Green	$\pm 20 \%$	215 X 175
Blue	$\pm 25 \%$	235 X 175
Purple	$\pm 30 \%$	235 X 175



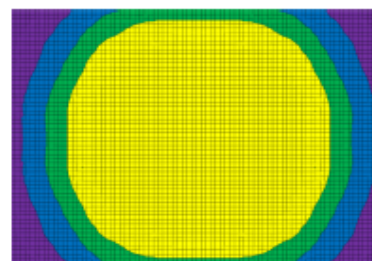
CWD = 400 mm
LWD = 400 mm

COLOUR	TOLERANCE	L X W
Yellow	$\pm 15 \%$	230 X 225
Green	$\pm 20 \%$	255 X 235
Blue	$\pm 25 \%$	285 X 235
Purple	$\pm 30 \%$	315 X 235



CWD = 500 mm
LWD = 500 mm

COLOUR	TOLERANCE	L X W
Yellow	$\pm 15 \%$	280 X 280
Green	$\pm 20 \%$	325 X 300
Blue	$\pm 25 \%$	375 X 300
Purple	$\pm 30 \%$	400 X 300



* Each individual box is 5 X 5 mm.

*Disclaimer : The graphs portrayed are for reference only and does not in any way guarantee the quality of this product.