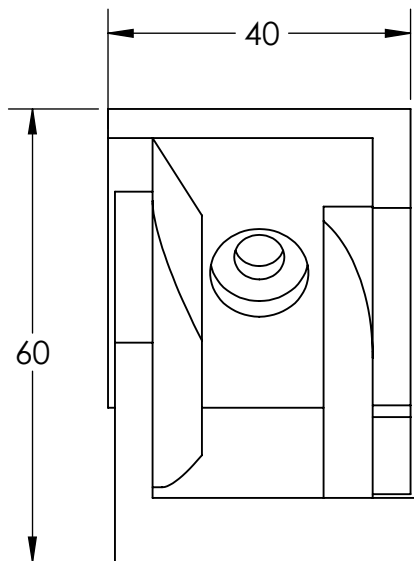
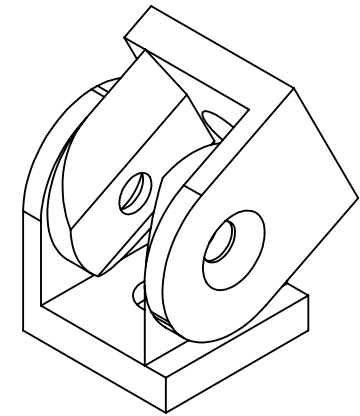
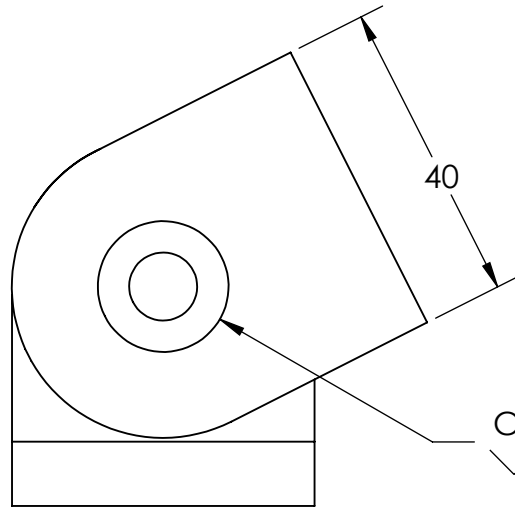
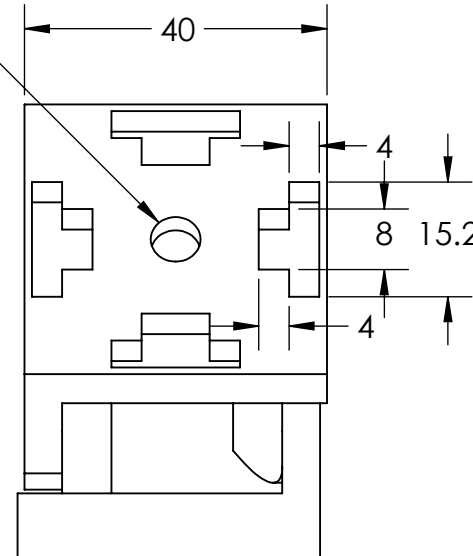


REVISIONS

ZONE	REV.	DESCRIPTIONS	DATE	APP.
------	------	--------------	------	------



C'BORE Ø 6.60 ∇ 16
□ Ø 13 ∇ 4.60



COLOR	WAVE LENGHT
RED:	620nm
GREEN:	525nm
BLUE:	470nm
WHITE:	--
IR 850:	850nm
IR 940:	940nm
UV:	380-385nm
RGB:	620nm/525nm/470nm



DESIGN BY	FASIAH	UNIT:	PRODUCT SERIES: BRACKET SERIES					
CHECK BY	KB TAN	MM						
DATE	11/1/2018	REVISION:						
MATERIAL	ALU	02	TITLE	JOIN BRACKET	CLOUR:	-	-	-
FINISHING	CLEAR ANOD	SCALE:	PART NO	-	VOLTAGE:	-	-	-
QTY	1	1 : 1	DWG NO	LM-AJB 4040-(REV02)	CURRENT:	-	-	-
					POWER:	-	-	-
					SHEET 1 OF 5			