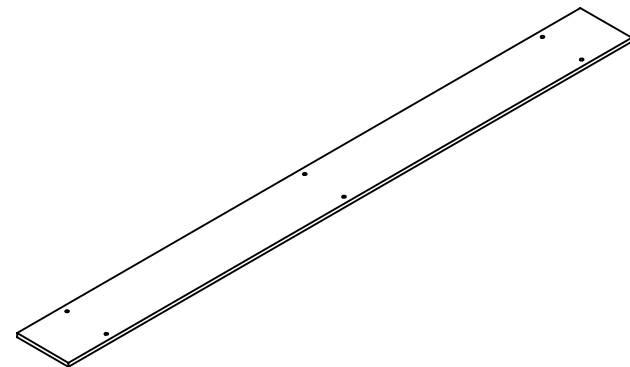
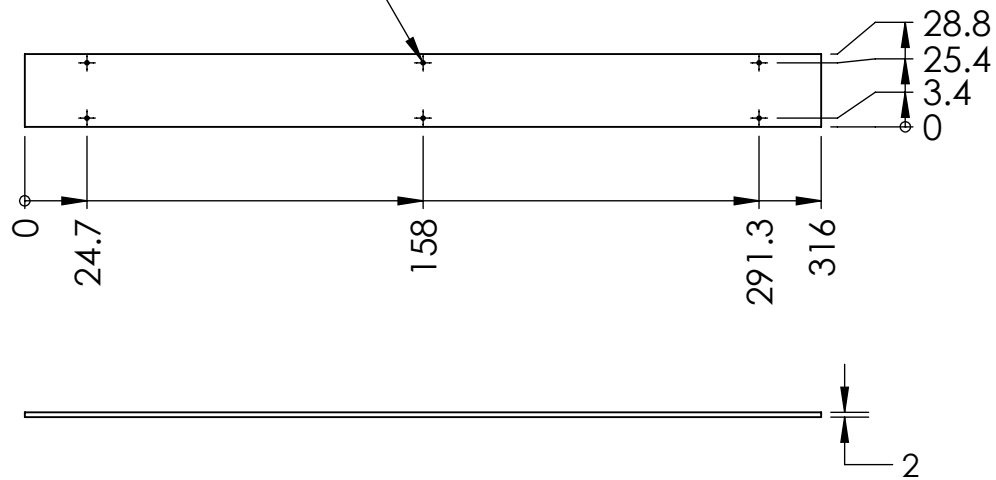


1 2 3 4 5 6 7 8

REVISIONS				
ZONE	REV.	DESCRIPTIONS	DATE	APP.



6X Ø 1.50 THRU ALL
(TAP M2 X 0.4 THRU)



COLOR	WAVE LENGHT
RED:	630nm
GREEN:	525nm
BLUE:	470nm
WHITE:	--
IR 850:	850nm
IR 940:	940nm
UV:	365-375nm
RGB:	620nm/525nm/470nm

NOTE : M - T/T% (78%)



DESIGN BY	FASIAH	UNIT:	MM	PRODUCT SERIES: HBL3 SERIES				
CHECK BY	KB TAN	REVISION:	02					
DATE	24/10/2017	SCALE:	1 : 3	TITLE	DIFFUSER	COLOUR:	-	-
MATERIAL	PG-8 2.00 MM	PART NO	-	DWG NO	HBL3-00-320-DIFFUSER-M	VOLTAGE:	-	-
FINISHING	-					CURRENT:	-	-
QTY	1					POWER:	-	-
						SHEET 1 OF 1		

1 2 3 4 5 6 7 8

D

C

B

A

D

C

B

A