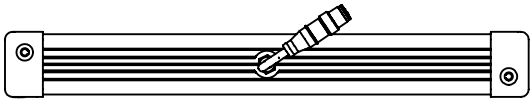


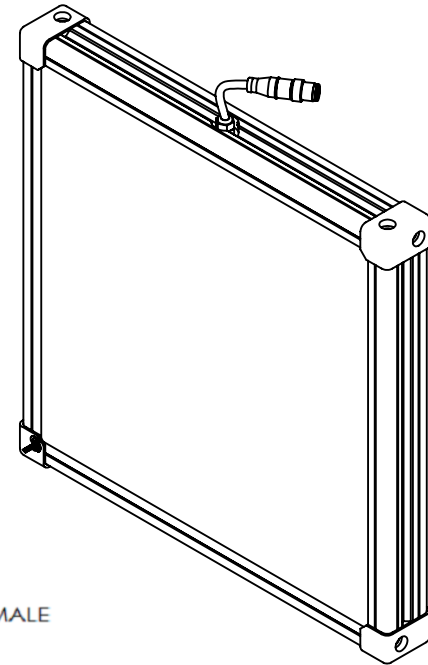
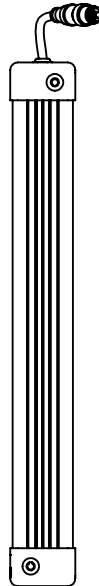
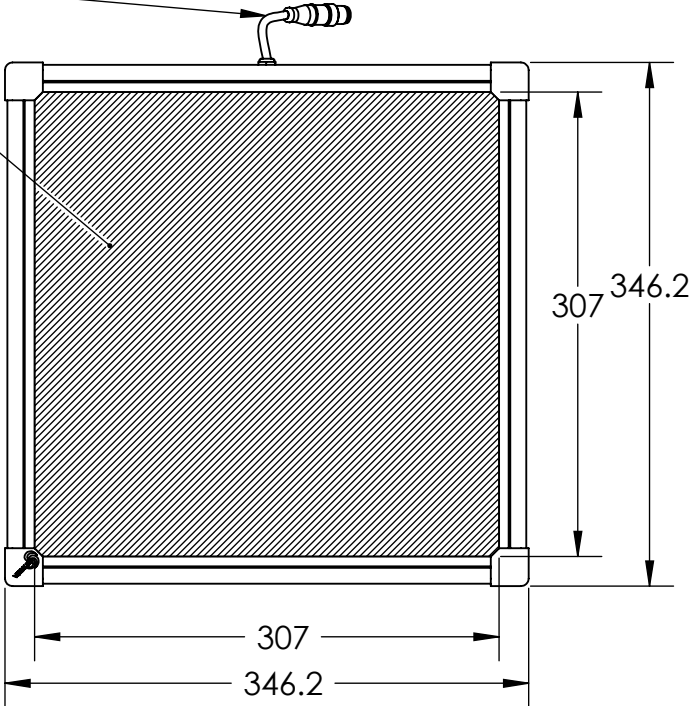
1 2 3 4 5 6 7 8

REVISIONS			
REV.	DESCRIPTIONS	EDIT BY	DATE:(d/m/y)
01	NEW DRAWING LAYOUT	SL LEE	27/10/2015
-	-	-	dd/mm/yyyy

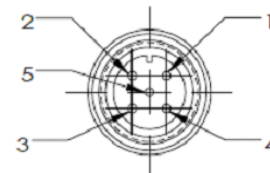


M12 CONNECTOR  
70CM CABLE

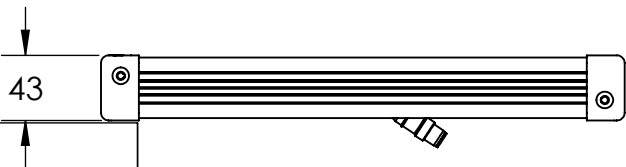
EMITTING AREA



MALE



PIN 1	BROWN	24V
PIN 2	WHITE	-
PIN 3	BLUE	GND
PIN 4	BLACK	-
PIN 5	GRAY	-



CUSTOMER APPROVED  
& DATE



DESIGN BY	SL LEE
CHECK BY	KB TAN
DATE	27/10/2015
MATERIAL	-
FINISHING	-
QTY	-

UNIT:	MM
REVISION:	01
SCALE:	1 : 5

PRODUCT SERIES: HBBX SERIES

TITLE	DRAWING LAYOUT
PART NO	HBBX-00-320X320-X-X-24V
DWG NO	-

SHEET 1 OF 1

1 2 3 4 5 6 7 8

D

C

B

A

D

C

B

A