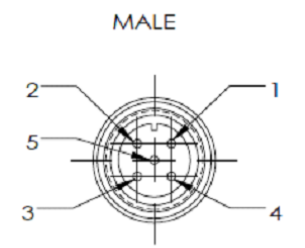
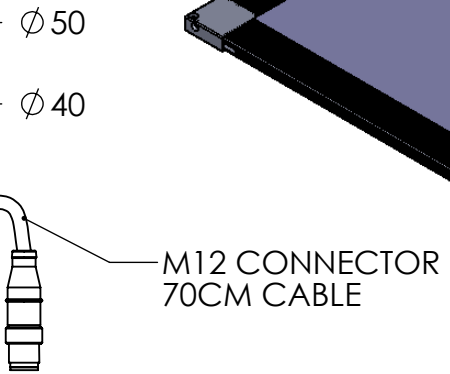
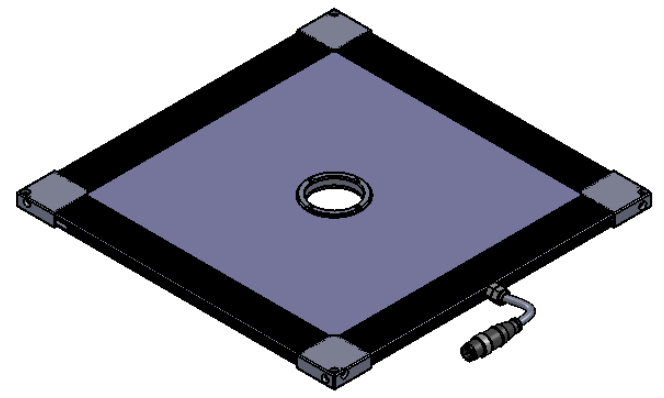
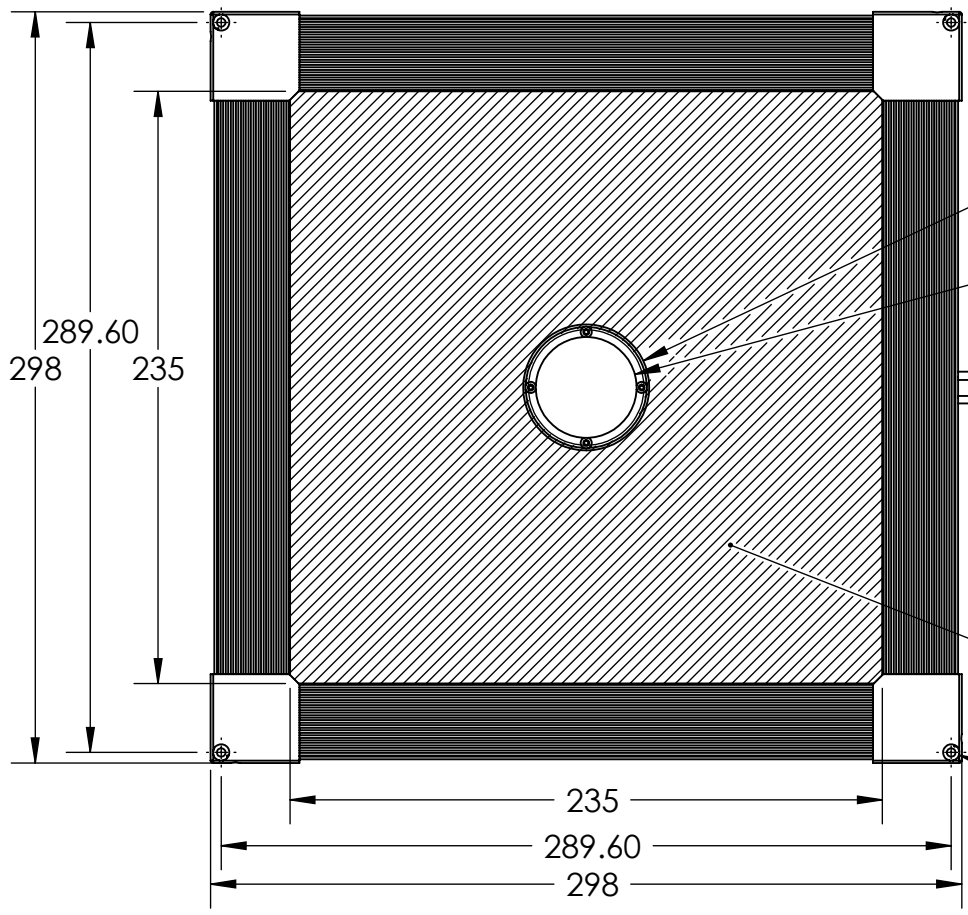


1 2 3 4 5 6 7 8

REVISIONS			
REV.	DESCRIPTIONS	EDIT BY	DATE:(d/m/y)
01	NEW DRAWING LAYOUT	SL LEE	27/10/2015
-	-	-	dd/mm/yyyy

D
C
B
A



PIN	COLOR	VOLTAGE
PIN 1	BROWN	24V
PIN 2	WHITE	-
PIN 3	BLUE	GND
PIN 4	BLACK	-
PIN 5	GRAY	-

CUSTOMER APPROVED
& DATE



DESIGN BY	SL LEE	UNIT:	MM	
CHECK BY	KB TAN	REVISION:	01	
DATE	27/10/2015	SCALE:	1 : 3	
MATERIAL	-	TITLE	DRAWING LAYOUT	
FINISHING	-	PART NO	BHDQ2-00-235X235-1-X-24V	
QTY	-	DWG NO	-	SHEET 1 OF 1

1 2 3 4 5 6 7 8